

VANITY

HI TECH GANGWAYS

**PHOTOGRAPHIC HISTORY OF INNOVATION
AND GANGWAYS DESIGN**



**First class elegance and high engineered
technical solutions combined to realize
VANITY range.**

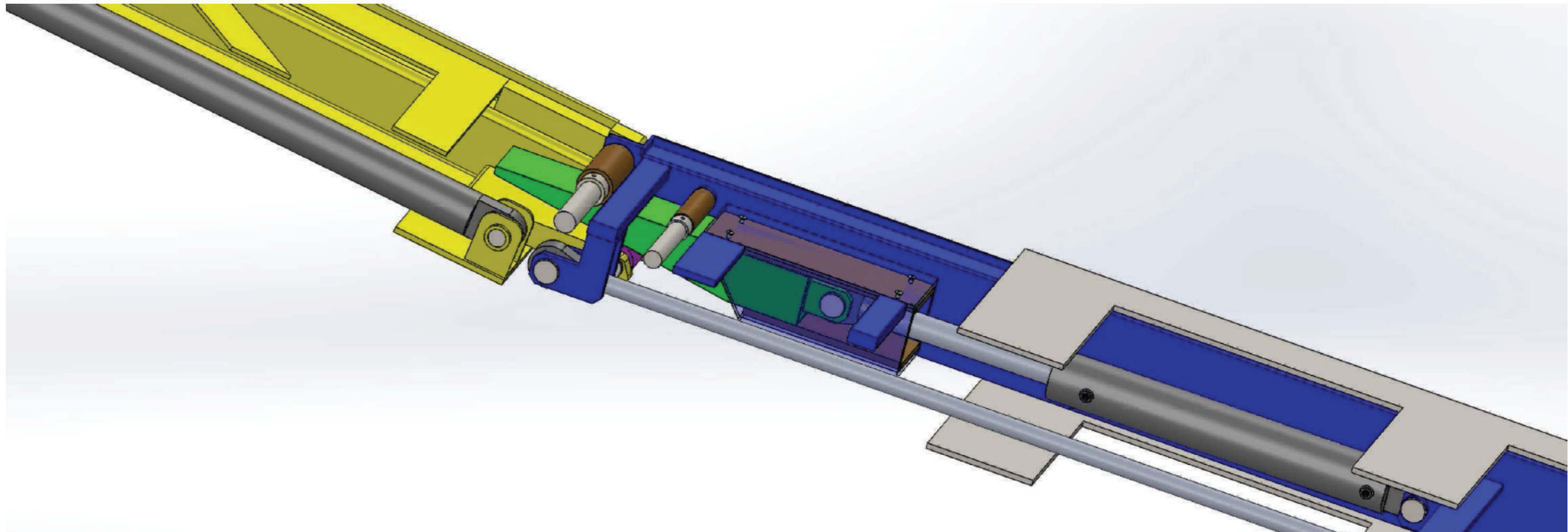


Amare



A mix of beauty & technology:

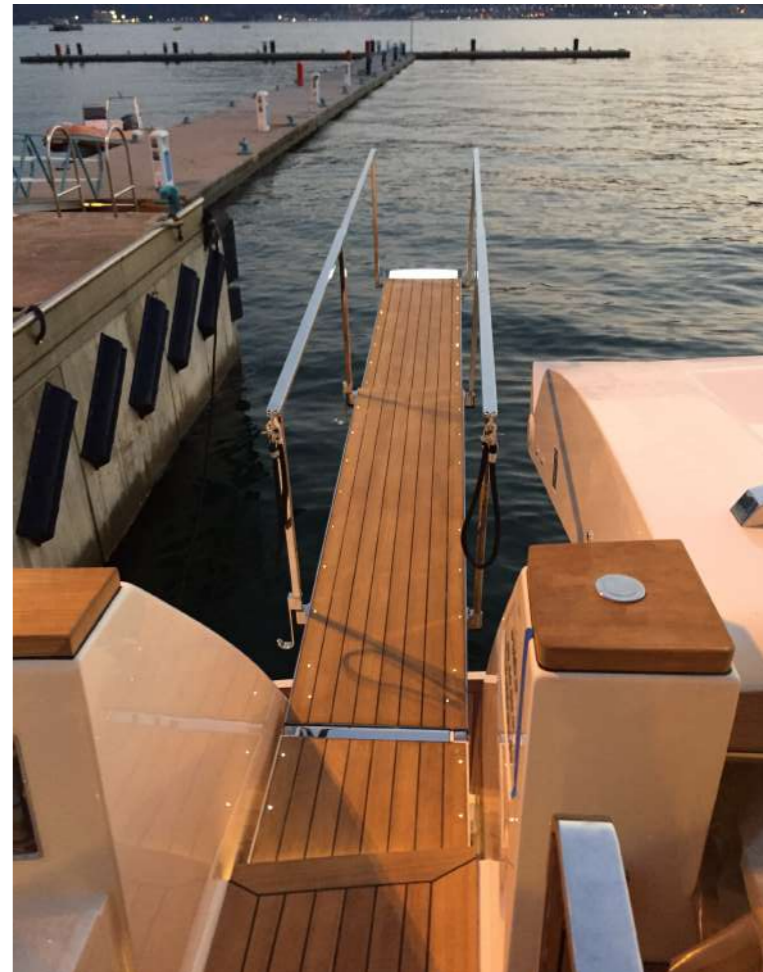
- thin box**
- patented EASY WEDGE up/down**
- large walking area**













CUSTOM SIZE

from 2500 up to 5000 mm





dare to be unique.